

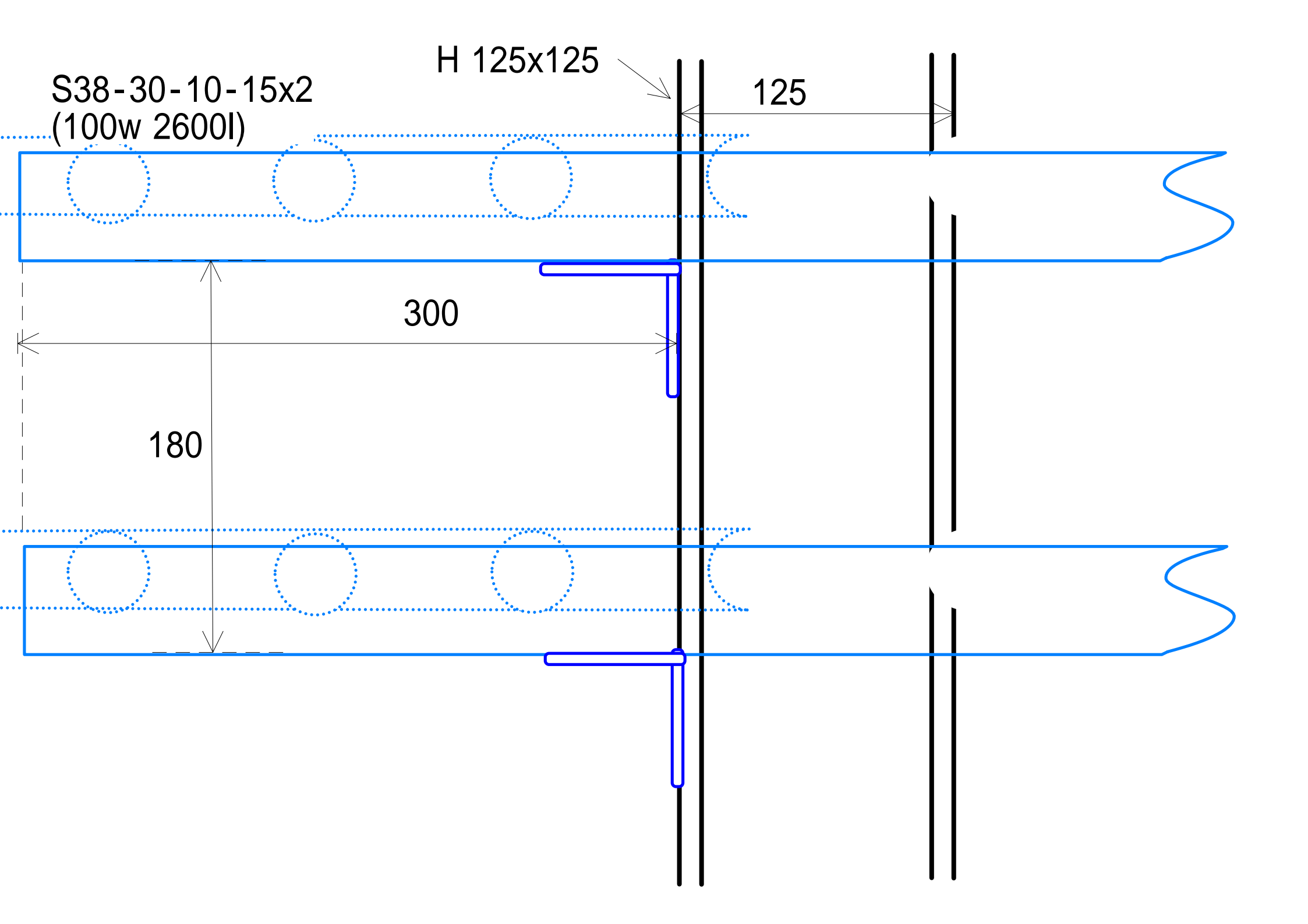
S38-30-10-15x2
(100w 2600I)

H 125x125

125

300

180



H 125x125

S38-30-10-26

125

55

160

65

180

55

160

300

100

